

Технический паспорт ТЕХНИЧЕСКОЕ ОПИСАНИЕ :

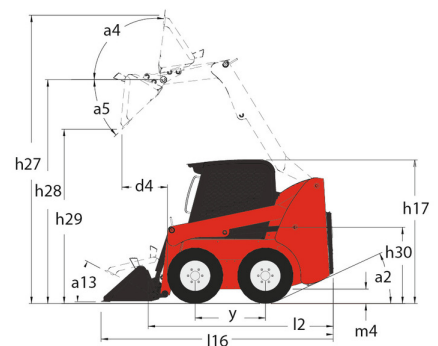
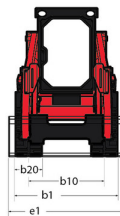
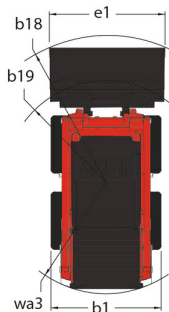
# 1650 R

---



| Capacities   |     | Метрический             |
|--|-----|-------------------------|
| Rated Operating Capacity                             |     | 748 kg                  |
| Rated Operating Capacity with Optional Counterweight |     | 816.50 kg               |
| Unladen weight                                       |     | 2796 kg                 |
| Weight and dimensions                                |     |                         |
| Overall Operating Height - Fully Raised              | h27 | 3876 mm                 |
| Height to Hinge Pin - Fully Raised                   | h28 | 3023 mm                 |
| Overall Height to Top of ROPS                        | h17 | 1948 mm                 |
| Dump angle at full height                            | a5  | 38 °                    |
| Dump height  | h29 | 2380 mm                 |
| Overall length with bucket                           | l16 | 3101 mm                 |
| Dump reach - Full height                             | r6  | 579 mm                  |
| Rollback at ground                                   | a13 | 28 °                    |
| Seat to ground height                                | h30 | 904 mm                  |
| Wheelbase  | y   | 988 mm                  |
| Overall width less bucket                            | b1  | 1544 mm                 |
| Bucket Width   | e1  | 1562 mm                 |
| Ground clearance                                     | m4  | 160 mm                  |
| Overall length - Less Bucket                         | l2  | 2385 mm                 |
| Departure angle                                      | a2  | 21 °                    |
| Clearance Radius - Front with Bucket                 | b18 | 1869 mm                 |
| Clearance Circle - Front without Bucket              | b19 | 1153 mm                 |
| Clearance Circle - Rear                              | wa1 | 1466 mm                 |
| Performances   |     |                         |
| Travel Speed with Two-Speed Option - Maximum         |     | 19.50 km/h              |
| Travel speed (unladen)                               |     | 12.60 km/h              |
| Wheels   |     |                         |
| Standard tyres                                       |     | 10.00x16.5 HD           |
| Engine   |     |                         |
| Engine brand   |     | Yanmar                  |
| Engine model   |     | 4TNV88C-KMS             |
| Gross Power (kW)                                     |     | 52 kW                   |
| Net Power (kW)                                       |     | 51 kW                   |
| Max. torque / Engine rotation                        |     | 241 Nm / 2500 rpm       |
| Battery  |     | 12 V                    |
| Alternator   |     | 100 kW                  |
| Starter (kW)   |     | 3 kW                    |
| Hydraulics   |     |                         |
| Standard flow - Auxiliary hydraulics                 |     | 71.40 l/min             |
| Auxiliary Hydraulic Pressure                         |     | 207 bar                 |
| High-Flow Auxiliary Hydraulics - Option              |     | 114 l/min               |
| High-Flow Auxiliary Hydraulics Pressure - Option     |     | 200 bar                 |
| Tank capacities                                      |     |                         |
| Fuel tank  |     | 62.50 l                 |
| Reservoir Capacity Hydraulics                        |     | 41.60 l                 |
| Displacement   |     | 3.30 l                  |
| Noise and vibration                                  |     |                         |
| Environmental noise (LwA)                            |     | 101 dB                  |
| Noise at driving position (LpA)                      |     | 85 dB                   |
| Whole-Body Vibration (ISO 2631-1)                    |     | 0.90 m/s <sup>2</sup>   |
| Vibration to whole hand/arm                          |     | < 1.77 m/s <sup>2</sup> |

## 1650 R - габаритный чертеж



## Оборудование

|  |               |
|--|---------------|
| —  |               |
| Integral Access Plate (removable)                | Стандартно    |
| <b>Lifting function</b>                          |               |
| All-Tach® Attachment Mounting System             | Стандартно    |
| Auxiliary Hydraulics                             | Стандартно    |
| High-Flow Auxiliary Hydraulics                   | Дополнительно |
| Power-A-Tach® Attachment Mounting System         | Дополнительно |
| <b>Lighting</b>                                  |               |
| Work Lights - Front and Rear                     | Стандартно    |
| <b>Motorization/Power</b>                        |               |
| Engine Auto-Shutdown System                      | Стандартно    |
| Engine Block Heater                              | Дополнительно |
| Swing-Out Cooler                                 | Стандартно    |
| Two-Speed Drive                                  | Дополнительно |
| <b>Operator station</b>                          |               |
| Air conditioning with manual adjustment          | Дополнительно |
| Air suspension seat                              | Дополнительно |
| Cab Enclosure                                    | Дополнительно |
| Foot and Hand Throttles 2                        | Стандартно    |
| Gehl T-Bar Controls                              | Дополнительно |
| Hand/Foot Controls                               | Дополнительно |
| Heating  | Дополнительно |
| High-Back Adjustable Seat                        | Стандартно    |
| Hom  | Стандартно    |
| Joystick controls                                | Дополнительно |
| ROPS/FOPS Level II Overhead Guard                | Стандартно    |
| Sound Reduction Material                         | Стандартно    |
| Suspension Seat - Mechanical                     | Дополнительно |
| <b>Other options</b>                             |               |
| Hydrostatic Drive - Servo                        | Стандартно    |
| Selectable Self-Leveling Hydraulic Lift Action 4 | Дополнительно |
| <b>Secondary functions</b>                       |               |
| Counterweight                                    | Дополнительно |
| Full Instrumentation                             | Стандартно    |
| Hydraglide™ Ride Control 3                       | Дополнительно |
| <b>Security</b>                                  |               |
| Anti-Vandalism Protection                        | Стандартно    |
| Back-Up Alarm                                    | Дополнительно |
| Brake Control (Auto / Manual)                    | Стандартно    |
| Hydraloc™ Safety System                          | Стандартно    |
| Lift Arm Support Device                          | Стандартно    |
| Operator Restraint Bar                           | Стандартно    |